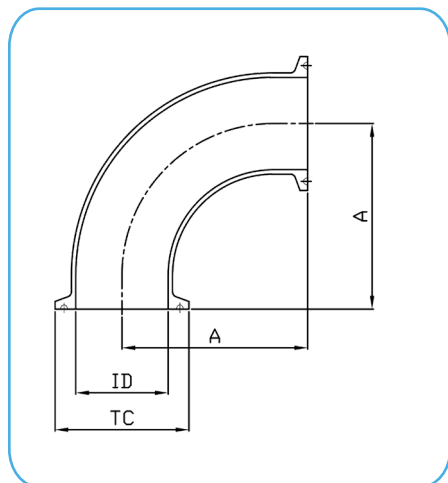


2CMP- 2KMP Tri-Clamp Elbows ASME BPE



**2CMP-ELBOW 90°
TC x TC ASME BPE
DT-4.1.1-3**

CODE	Size inch	ØTC (mm)	ØID (mm)	A (mm)
2CMP-A050-13A	1/2"	25	9.4	41.3
2CMP-A075-13A	3/4"	25	15.75	41.3
2CMP-A100-13A	1"	50.5	22.1	50.8
2CMP-A150-13A	1" 1/2	50.5	34.8	69.9
2CMP-A200-13A	2"	64	47.5	88.9
2CMP-A250-13A	2" 1/2	77.5	60.2	108.0
2CMP-A300-13A	3"	91	72.9	127.0
2CMP-A400-13A	4"	119	97.4	168.3
2CMP-A600-13A	6"	167	146.8	266.7

Technical Information:

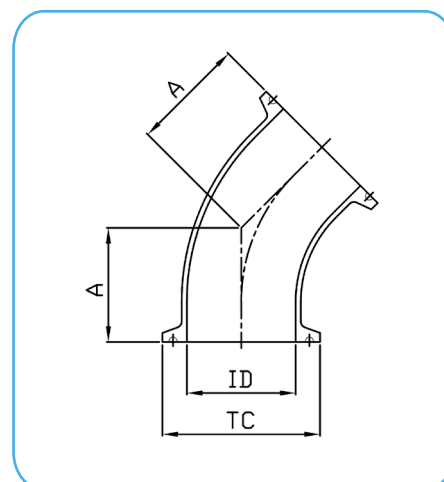
Connections: Tri-Clamp according to ASME BPE [latest ed.]

Material: AISI 316L – 1.4404

Internal Surface Finish: SF1 Ra ≤ 0.5µm → code **13** e.g.: 2CMP-A050-**13**A

Optional: SF4 Ra ≤ 0.38µm Electropolish → code **43** e.g.: 2CMP-A050-**43**A

CODE	Size inch	ØTC (mm)	ØID (mm)	A (mm)
2KMP-A050-13A	1/2"	25	9.4	25.4
2KMP-A075-13A	3/4"	25	15.75	25.4
2KMP-A100-13A	1"	50.5	22.1	28.6
2KMP-A150-13A	1" 1/2	50.5	34.8	36.5
2KMP-A200-13A	2"	64	47.5	44.5
2KMP-A250-13A	2" 1/2	77.5	60.2	52.4
2KMP-A300-13A	3"	91	72.9	60.3
2KMP-A400-13A	4"	119	97.4	79.4
2KMP-A600-13A	6"	167	146.8	133.4



**2KMP-ELBOW 45°
TC x TC ASME BPE
DT-4.1.1-6**

DATASHEETS



Last updates can be found on our website - www.aerreinox.it
In the interests of development of the product, we reserve the right to change the specifications without prior notice